

REED RELAYS □ REED SENSORS □ REED SWITCHES

RM05-8A-S Reed Relay Module

DESCRIPTION

The new RM05-8A-S PCB mount 8-pole reed relay module is 25% smaller than our existing RM05-8A. The reduced foot print is the result of a newly optimized design and all new driver generation. This model has a standardized dual-in-line pin layout and is also available with parallel activation electronics.

FEATURES

- Up-to-date integrated drivers
- 8 internal reed switches
- Gold plated leads improve solderability
- Standard DIL pin layout (2mm)
- Parallel activation electronics available
- No external activation electronics required
- Reduced assembly time (8 in 1)

APPLICATIONS

- Test and Measurement
- High Frequency applications
- Telecommunications

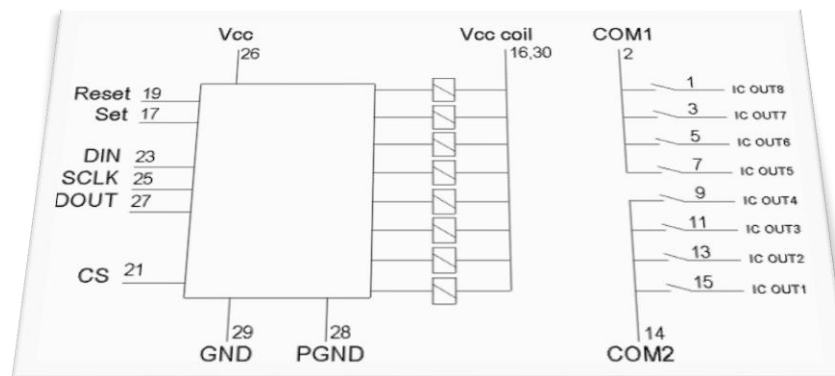
Request Samples Today!

Visit our website: www.meder.com



SPECIFICATIONS

- Contact Form: 8A
- Rated Power: max. 10W
- Switching Voltage: 170VDC
- Switching Current: 0.5A
- Carry Current: 0.5A



The Next Generation in 8-pole Reed Relay Design, Saves 25% PCB Space!

The next generation in 8-pole reed relay module design has arrived! Now with a 25% smaller footprint, our new RM05-8-S model outshines our existing RM05-8A. At only 33 x 6.95 x 14.05mm, the RM05-8-S is equipped with 8 internal reed switches and the most up-to-date generation of integrated drivers, eliminating the need for external activation electronics.

Its smaller size and standardized dual-in-line pin out configuration makes it highly suitable for a broader range of smaller applications in the test and measurement, telecommunications and high frequency markets.

Moreover, the RM05-8-S is designed with gold plated leads for improved solderability. Use a single relay module individually or simply interconnect several RM modules in parallel to increase the overall storage capacity of input-signal-bits.

The relay reaches a rated power of up to 10 W with a maximum switching voltage of maximum 170 VDC and a switching current of maximum 0,5 A.